



PUTTING GREEN LIGHTS PGL-04 SERIES



TYPE

SPECIFICATIONS

CONSTRUCTION: Extruded aluminum fixture head mounted on black extruded ABS post; supplied with two putter holders and drink/ball holder (putters & golf balls not included)

REFLECTOR: Highly polished specular aluminum

LENS: High impact clear acrylic

GASKET: None

LAMP SUPPLIED: 120v, 13w CFL T4 single tube, 4100K; 10,000 hour rating (13w max)

-2H20 model: 12v, 2 x 20w T4 SC halogen; 10,000 hour rating (40w max)

-2H35 model: 12v, 2 x 35w T4 DC halogen; 10,000 hour rating (70w max)

-2X20 model: 12v, 2 x 20w T4 SC xenon; 10,000 hour rating (40w max)

LAMP OPTIONS:

120v: 13w CFL T4 single tube, warm white 2700K

12v: 2.2w 50,000 hour average rating OMNI-2 LED (-LED2)

SOCKET: GX23 2-pin

-2H20 model: Single contact bayonet, brass nickel plated lamp socket screw shell (Ba15s) with 200°C silicone lead wires

-2H35 model: Double contact bayonet, brass nickel plated lamp socket screw shell (Ba15d) with 200°C silicone lead wires

-2X20 model: Single contact bayonet, brass nickel plated lamp socket screw shell (Ba15s) with 200°C silicone lead wires

WIRING:

120v: Standard 120v black, white and ground

12v: Black 3 foot 18/2 zip cord (12v. only)

For 25 foot 16/2 fixture lead wire add -25F to catalog number.

12v **CONNECTION:** FA-05 Quick Connector (not supplied) from fixture to main cable (12/2, 10/2 or 8/2 only)

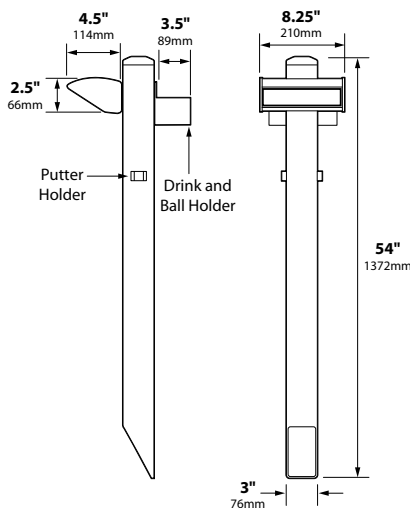
FINISH: Aluminum - Black texture polyester powder coat. Optional finishes available



PGL-04-BLT

ORDERING INFORMATION

CATALOG NO.	DESCRIPTION	LAMP	SHIP WEIGHT
PGL-04-BLT	Aluminum Putting Green Light	13w, 4100K CFL	8.0 lbs.
PGL-04-2H20-BLT	Aluminum Putting Green Light	20w T4 Halogen	8.0 lbs.
PGL-04-2H35-BLT	Aluminum Putting Green Light	35w T4 Halogen	8.0 lbs.
PGL-04-2X20-BLT	Aluminum Putting Green Light	20w T4 Xenon	8.0 lbs.



JOB INFORMATION	
Type:	Date:
Job Name:	
Cat. No.:	
Lamp(s):	
Specifier:	
Contractor:	
Notes:	
FOCUS INDUSTRIES INC. 25301 COMMERCENTRE DRIVE LAKE FOREST, CA 92630	
www.focusindustries.com sales@focusindustries.com (949) 830-1350 • FAX (949) 830-3390	

Black Texture (Standard)	Antique Verde	Bronze Texture	Camel	White Texture	Hunter Texture	Rust	Weathered Iron	Weathered Brown	Stucco	Rubbed Verde	Chrome Powder	Terra Cotta	Acid Rust	Acid Verde	Black Acid Treatment
-BLT	-ATV	-BRT	-CAM	-WTX	-HTX	-RST	-WIR	-WBR	-STU	-RBV	-CPR	-TRC	-BAR/CAR	-BAV/CAV	-BAT

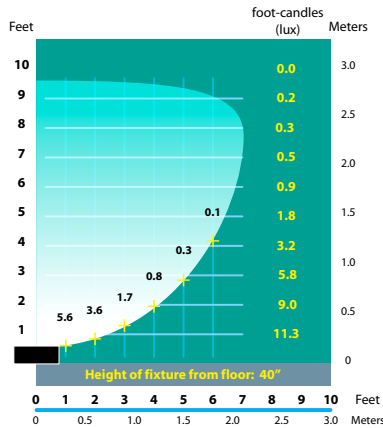


PUTTING GREEN LIGHTS PGL-04 SERIES

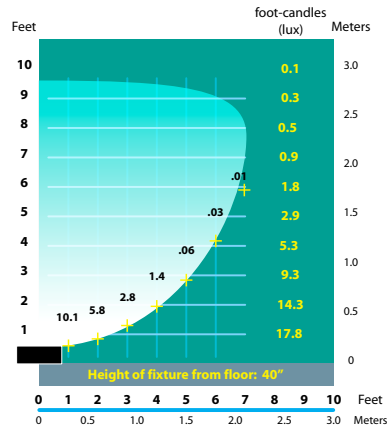


TYPE

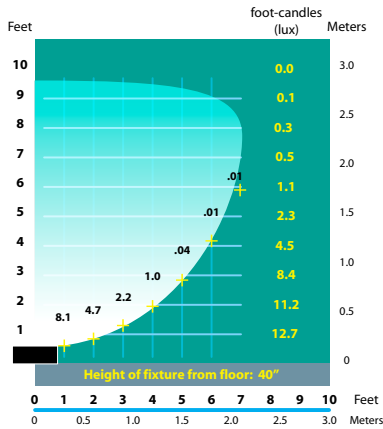
LIGHT DISTRIBUTIONS AND PHOTOMETRICS



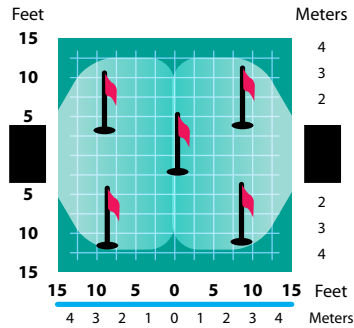
2x 20w. Halogen S.C. Base
PGL-04



2x 35w. Halogen DS.C. Base
PGL-04



1x 13w. CFL 4100K WARM WHITE
PGL-04



PGL-04 Light Distribution

Black Texture (Standard)	Antique Verde	Bronze Texture	Camel	White Texture	Hunter Texture	Rust	Weathered Iron	Weathered Brown	Stucco	Rubbed Verde	Chrome Powder	Terra Cotta	Acid Rust	Acid Verde	Black Acid Treatment
-BLT	-ATV	-BRT	-CAM	-WTX	-HTX	-RST	-WIR	-WBR	-STU	-RBV	-CPR	-TRC	-BAR/CAR	-BAV/CAV	-BAT